

# Horticulture Batten LED Luminaire

## LED Lighting System



### BEFORE YOU BEGIN

Read these instructions completely and carefully.

#### WARNING/AVERTISSEMENT

##### RISK OF ELECTRIC SHOCK

- Turn power off before inspection, installation or removal.
- The electrical supply for each luminaire must always be connected to the male connector.

##### RISK OF FIRE

- Follow all NEC and local codes.

##### RISQUES DE DÉCHARGES ÉLECTRIQUES

- Coupez l'alimentation avant l'inspection, l'installation ou le déplacement.
- L'alimentation électrique pour chacun des luminaires doit toujours être branché du côté mâle de la prise.

##### RISQUES D'INCENDIE

- Respectez tous les codes NEC et codes locaux.

### Save These Instructions

The light source of this luminaire is not replaceable; when the light source reaches its end of life the whole luminaire shall be replaced.

If the external flexible cable or cord of this luminaire is damaged, it shall be replaced by a special cord or cord exclusively available from the manufacturer, his service agent or a qualified specialist.

### Prepare Electrical Wiring



#### *Electrical Requirements*

- Suitable for damp locations.
- Follow all National Electric Codes (NEC) and local codes.

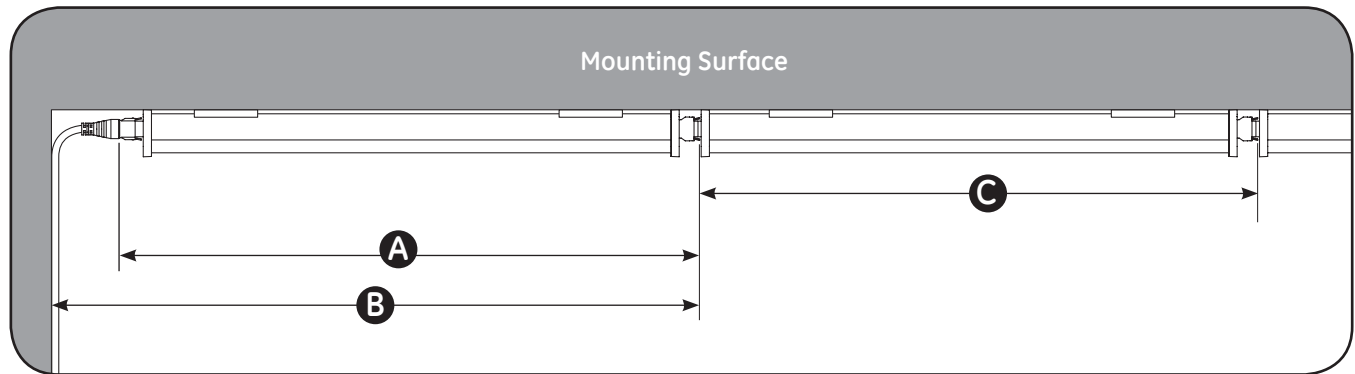
This device complies with Part 15 of the FCC Rules. Operation is subject to the following two conditions: (1) This device may not cause harmful interference, and (2) this device must accept any interference received, including interference that may cause undesired operation. CAN ICES-3 (A)/NMB-3(A)

**Note:** This equipment has been tested and found to comply with the limits for a Class A digital device, pursuant to part 15 of the FCC Rules. These limits are designed to provide reasonable protection against harmful interference when the equipment is operated in a commercial environment. This equipment generates, uses, and can radiate radio frequency energy and, if not installed and used in accordance with the instruction manual, may cause harmful interference to radio communications. Operation of this equipment in a residential area is likely to cause harmful interference in which case the user will be required to correct the interference at his own expense.



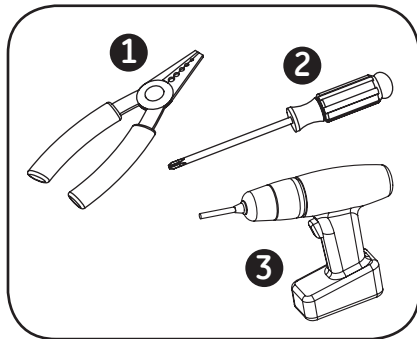
imagination at work

## Product Length



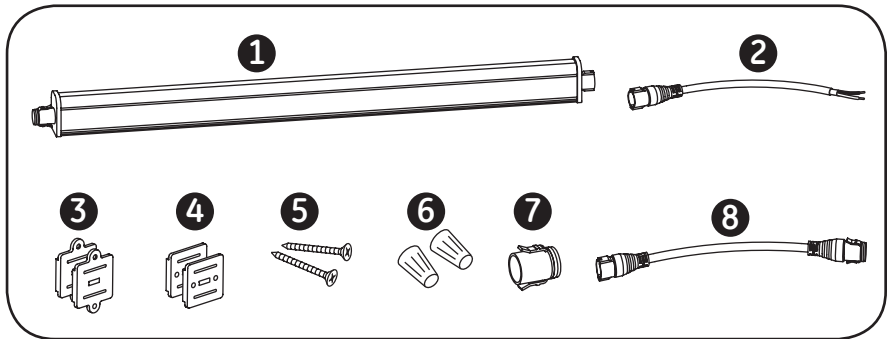
	<b>A</b> Length of lamp with connectors	<b>B</b> Length including leader cable	<b>C</b> Length of additional lamp in series
4 ft.	47" 119.4 cm	50" 127.1 cm	46.2" 117.3 cm
8 ft.	91" 231.5 cm	94.2" 239.2 cm	90.3" 229.4 cm

## Tools Required



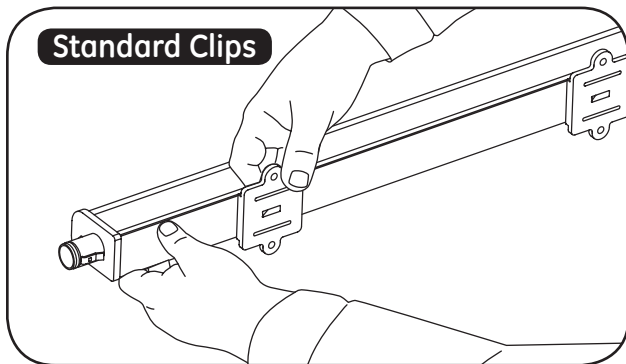
- 1 Wire stripper/cutter
- 2 Screwdriver
- 3 Cordless drill with driver bit

## Components Required

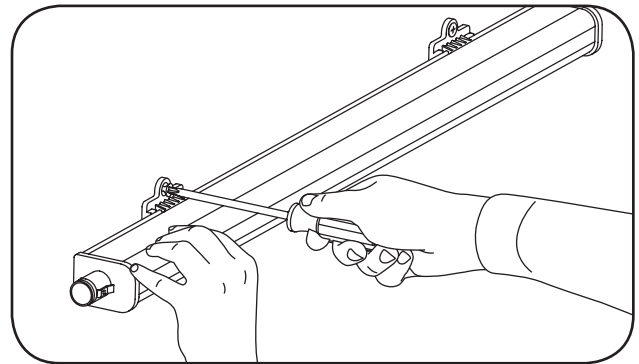


- 1 GE LED Batten fixtures
- 2 Leader cable (96440)
- 3 Standard mounting clips (88818)
- 4 Slim mounting clips (10734)
- 5 #10 (M5) self-tapping flathead screws
- 6 UL approved 18-14 AWG (0.82-2.08 mm<sup>2</sup>) wire connectors or in-line splice connectors
- 7 End cap for connectors
- 8 **Optional:** Jumper cable (96441: 24 in./610 mm long)

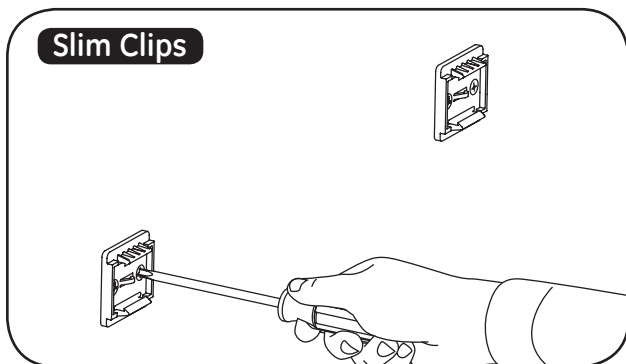
## Single Bar Installation



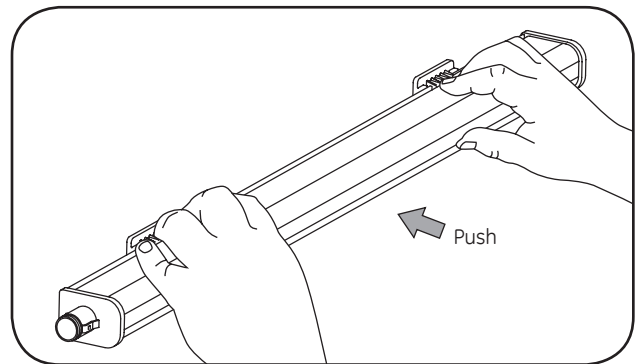
- 1A** Assemble the LED fixture by pressing the mounting clips onto the LED Batten. A snapping noise should be heard. Refer to Specifications table on last page for required number of mounting clips.



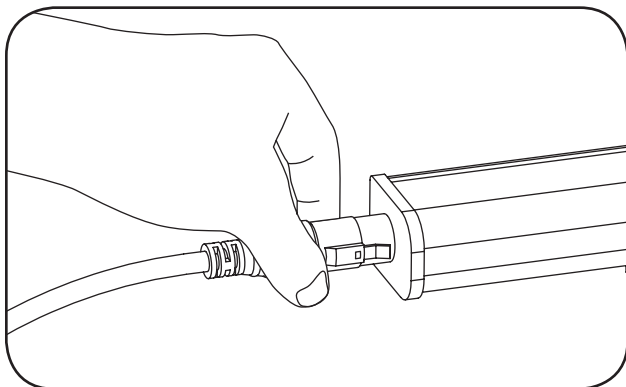
- 2A** Mount the fixture to the desired ceiling/wall using two #10 (M5) self-tapping flathead screws in each mounting clip.



- 1B** Mount each slim clip to the desired ceiling/wall using two #10 (M5) self-tapping flathead screws. Refer to Specifications table on page 4 for required number of mounting clips.



- 2B** Assemble the LED fixture by pressing the LED Batten into the clips. A snapping noise should be heard.

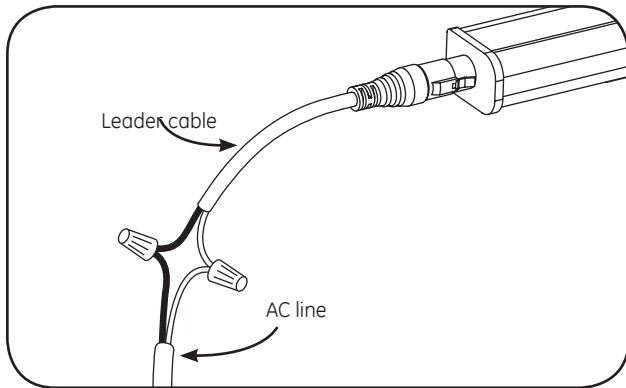


- 3** Connect the leader cable to the male plug on the first LED fixture. Two clicking noises should be heard.

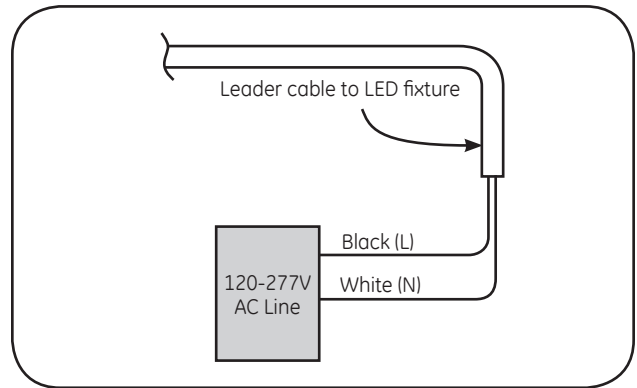
### **! WARNING**

The electrical supply for each luminaire must always be connected to the male connector.

## Electrical Connections

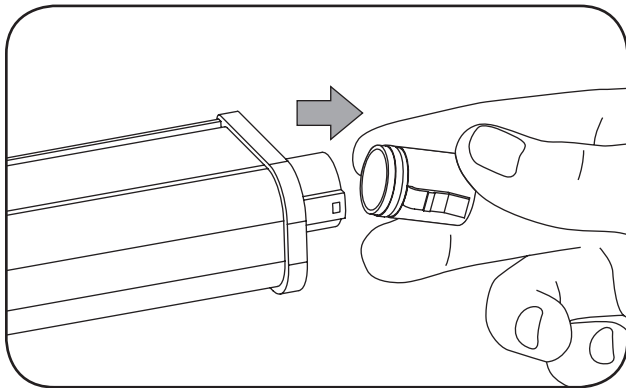


- 1 Connect the black (line) and white (neutral) wires of the AC line to the similarly colored wires of the leader cable using wire nuts.

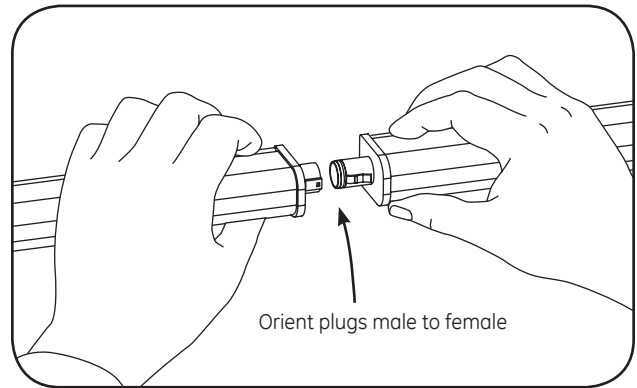


- 2 Wiring diagram.

## For Multiple Bar Installation Only

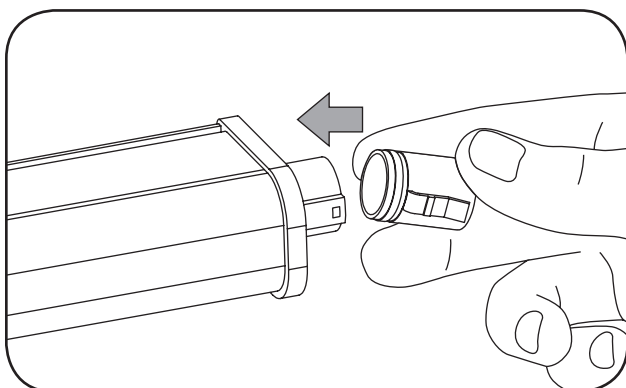


- 1 Remove endcap from other side.



- 2 Continue placing fixtures, being sure to join plugs male to female. Attach jumper cables as needed to work around any obstacles, corners or separations.

**NOTE:** See section entitled **Multiple Bar Installation Detail** for "Maximum Bars Per Leader Cable". To extend spacing between bar or to turn around corner use jumper cable.



- 3 Place end cap from Step 1 on the electrical plug of the last fixture in the run.

## Multiple Bar Installation Detail

Input voltage : 100VAC - 277 VAC, 50/60Hz

MO/HO	Lamp Length	Product Code (SKU)	Description Code	Maximum Bars Per Leader Cable		Number of Mounting Clips	Electrical Loading Detail Typical Current (A)	
				For 120VAC	For 240VAC		For 120VAC	For 240VAC
MO	4 ft.	208378	GEHL48MPKR1	9	18	2	0.15	0.08
		208377	GEHL48MPPR1					
		93031538	GEHL48MPPV1					
	8 ft.	208380	GEHL96MPPR1	5	10	3	0.30	0.15
		93031539	GEHL96MPPV1					
HO	4 ft.	93031540	GEHL48HPKB1	5	10	2	0.30	0.15
		213286	GEHL48HPPB1					
		93031581	GEHL48HWTB1					
		93031582	GEHL48HPKR1					
		213287	GEHL48HPPR1					
		93031583	GEHL48HWTR1					
		213285	GEHL48HPPV1					
	8 ft.	213289	GEHL96HPPB1	2	4	3	0.60	0.30
		213290	GEHL96HPPR1					
		213288	GEHL96HPPV1					

**Note:** Other SKUs available. For custom installation please contact us.

GEHLwwxyyzl

\*Key for ww: 48=48 in., 96=96 in.

\*Key for x: M=Medium Output, H=High Output

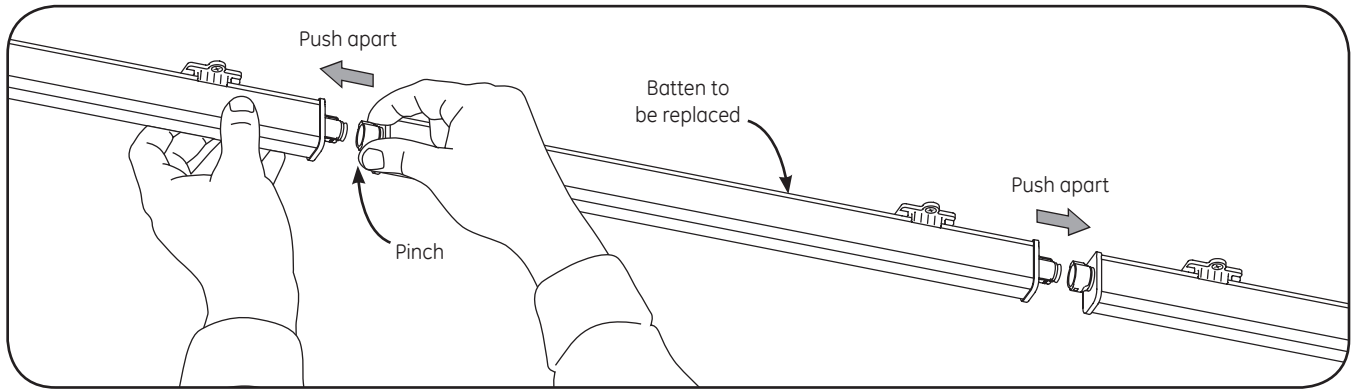
\*Key for yy: PP=Purple, PK=Pink, WT=White

\*Key for z: V=Vegetative, B=Balanced, R=Reproductive

## Troubleshooting

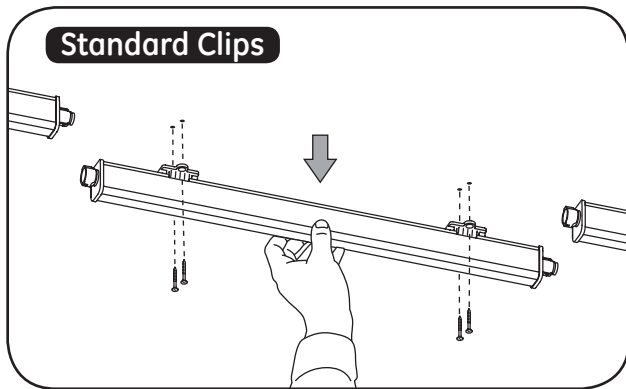
Symptom	Solution
All LED fixtures are not illuminated	<ul style="list-style-type: none"> <li>• Check leader cable connection and/or check circuit breaker.</li> <li>• Check plug connectors on the LED fixtures for improper connections or short circuits.</li> <li>• Ensure leader cable is securely connected to the female plug connector on the first LED fixture.</li> </ul>
Some LED fixtures are not illuminated	<ul style="list-style-type: none"> <li>• Check plug connectors on the LED fixtures for improper connections or short circuits.</li> <li>• Ensure any jumper cables are securely connected between the male/female plug connectors of the LED fixtures.</li> </ul>

# Batten Replacement Instructions

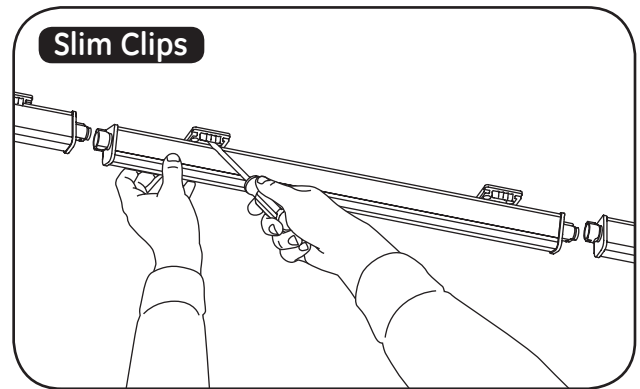


**1** Unclip plugs on both sides of the Batten to be replaced. Push apart Battens on either side.

*TIP:* Pinch the ends of the plug while pulling the receptacle end away.



**2A** Unscrew the mounting clips to completely remove the Batten.



**2B** Using a screwdriver, gently pry the Batten out of the mounting clips.

**3** To insert new Batten, complete the steps in reverse order.

Conforms to the following standards:  
IP66 rated



CLASS II LUMINAIRES



Electrical products must not be thrown out with domestic waste. They must be taken to a communal collecting point for environmentally friendly disposal in accordance with local regulations. Contact your local authorities or stockist for advice on recycling. The packaging material is recyclable. Dispose of the packaging in an environmentally friendly manner and make it available for the recyclable material collection-service.



[www.gelighting.com](http://www.gelighting.com)

GE and the GE Monogram are trademarks of the General Electric Company. All other trademarks are the property of their respective owners. Information provided is subject to change without notice. All values are design or typical values when measured under laboratory conditions. GE Lighting is a business of the General Electric Company. © 2016 GE.

GE2027-7286 (Rev 04/22/16)