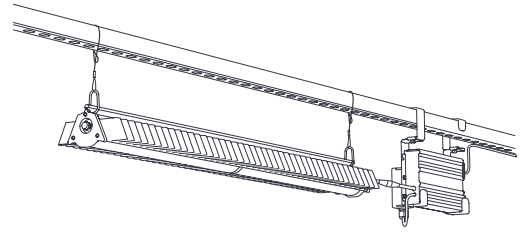


Arize Element™ Top Light

Horticulture LED Lighting System

Installation Guide



BEFORE YOU BEGIN / AVANT DE COMMENCER

Read these instructions completely and carefully. Lisez attentivement ces instructions dans leur intégralité.
For Commercial or Industrial use only.

⚠ WARNING / AVERTISSEMENT

RISK OF ELECTRIC SHOCK

- Turn power off before installation, inspection, cleaning or removal. And follow appropriate lock out/tag out safety procedure.
- Properly ground electrical enclosure.
- Follow all National Electric Codes (NEC) and local codes.
- This product must be installed in accordance with the applicable installation code by a person familiar with the construction and operation of the product and the hazards involved.
- The installation and associated structures are subject to approval by the authority having jurisdiction.
- Use only with components identified in this document.
- Suitable for dry, damp, and wet locations; Do not immerse any component.
- Wear suitable Personal Protective Equipment (PPE) during installation/maintenance. Highly recommend safety glasses, helmet and leather glove for luminaire mounting.
- Luminaire design for Greenhouse only.

RISK OF ELECTRIC SHOCK

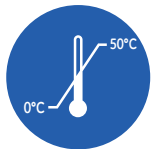
- Minimum 3 inch distance from light module & driver to any combustible material.
- Minimum 3 inch clearance between, light module & driver, light module & light module, driver & driver.
- All cables including connectors shall not be concealed or extended through a wall, floor, ceiling, or other parts of the building structure; located above a suspended ceiling or dropped ceiling; permanently affixed to the building structure.
- Cables shall be routed so that they are not subject to strain and are protected from physical damage; visible over their entire length; and used within their rated ampacity as determined for the maximum temperature of the installed environment specified in the instructions.

RISQUE DE CHOC ELECTRIQUE

- Coupez l'alimentation avant l'inspection, l'installation ou la désinstallation.
- Reliez correctement le boîtier électrique à la mise à la terre.
- Suivre tous les codes électriques locaux applicables.
- Ce produit doit être installé selon le code d'installation pertinent, par une personne qui connaît bien le produit et son fonctionnement ainsi que les risques inhérents.
- L'installation et les structures associées sont soumises à l'approbation des autorités compétentes.
- Utilisez uniquement avec les composants identifiés dans ce document.
- Convient aux endroits secs, humides et mouillés. Ne doit pas être immergé.
- Portez les équipements de protection individuelle appropriés pendant l'installation et la maintenance. L'utilisation de lunettes de sécurité, d'un casque et des gants de cuir pour le montage du luminaire est fortement recommandée.
- Luminaire conçu pour serres seulement.

RISQUE D'INCENDIE

- Distance minimale de 3 pouces entre l'équipement d'éclairage et toute matière combustible.
- Distance minimale de 3 pouces entre tout équipement d'éclairage, module d'éclairage ou module d'alimentation.
- Les câbles et connecteurs ne doivent pas être dissimulés à l'intérieur, ou passer à travers, d'un mur, d'un plancher, d'un plafond ou de toute autre partie de la structure du bâtiment; ne doivent pas être placés au-dessus d'un plafond suspendu; ne doivent pas faire partie intégrante de la structure du bâtiment.
- Les câbles doivent être installés de façon à être protégés contre l'étirement et tout autre bris physique; visibles sur toute leur longueur; utilisés dans la limite de leur courant admissible, déterminée pour les limites de température de l'environnement spécifiées dans le guide d'instruction.



Suitable for operation in an ambient temperature between 32°F (0°C) and 122°F (50°C).

A ventilation or cooling system is required to maintain the temperature within the growing space below 122°F (50°C) when the light module is in operation.

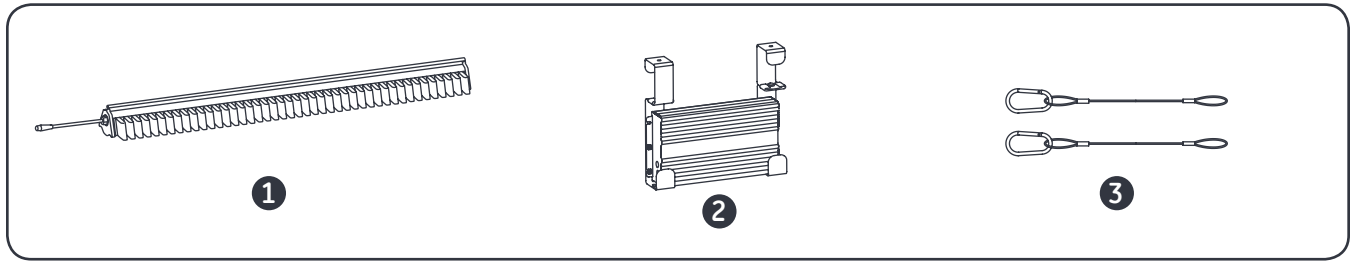
Opération compatible avec un environnement à température ambiante contrôlée entre 32°F (0°C) et 122°F (50°C).

l'utilisation d'un système de contrôle de la température sera nécessaire pour garder la serre sous les 122°F (50°C) lorsque le luminaire est en fonction.

current
powered by GE



Base Kit Components Supplied



- 1 Top Light module
- 2 Driver with brackets
- 3 2 x 0.8 ft. support cable with carabiner

Specifications

Description	Detailed Description	Driver Input Ratings		
		Typical Operating Voltages at 50/60Hz (VAC)	Input Current (A)	Power Factor
GEHTL-HPPR4-2NX1	Top light 4 ft purple reproductive, 641W	120/208/240/277	5.3/3.1/2.7/2.3	> 0.9
GEHTL-HPPB4-2NX1	Top light 4 ft purple balanced, 641W	120/208/240/277	5.3/3.1/2.7/2.3	> 0.9
GEHTL-MPPR4-2NX1	Top light 4 ft purple reproductive, 345W	120/208/240/277	2.9/1.7/1.4/1.2	> 0.9
GEHTL-MPPB4-2NX1	Top light 4 ft purple balanced, 345W	120/208/240/277	2.9/1.7/1.4/1.2	> 0.9
GEHTL-HPPR4-3NX1	Top light 4 ft purple reproductive, 627W	277/347/480	2.3/1.8/1.3	> 0.9
GEHTL-HPPB4-3NX1	Top light 4 ft purple balanced, 627W	277/347/480	2.3/1.8/1.3	> 0.9
GEHTL-MPPR4-3NX1	Top light 4 ft purple reproductive, 337W	277/347/480	1.2/1.0/0.7	> 0.9
GEHTL-MPPB4-3NX1	Top light 4 ft purple balanced, 337W	277/347/480	1.2/1.0/0.7	> 0.9
GEHTL-EPPR4-1NX1	Top light 4 ft purple reproductive, 199W	120/208/240	1.7/1.0/0.8	> 0.9
GEHTL-EPPB4-1NX1	Top light 4 ft purple balanced, 199W	120/208/240	1.7/1.0/0.8	> 0.9

Accessories

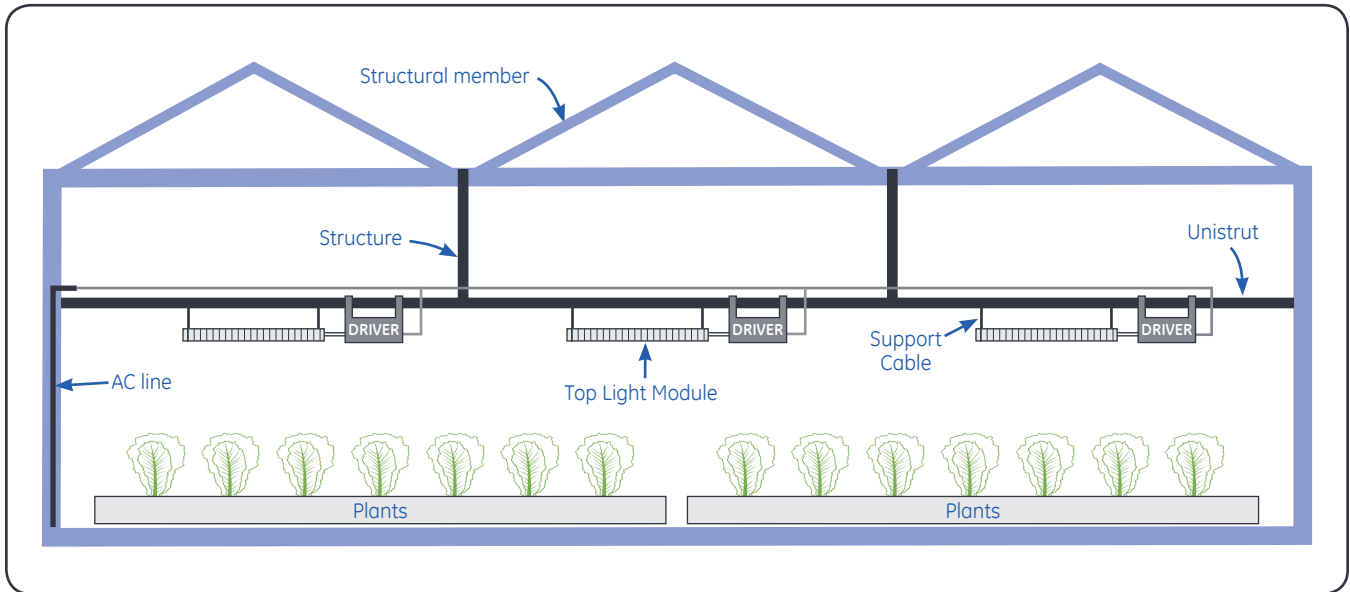
Description	Detailed Description	Components
GEHAK-NN-EB-N0	Light module 2' UL remote mount kit	2 X 2 ft support cable + 3 ft UL DC cable + 2 Carabiners
GEHAK-NN-AC-N0	Light module 5' UL remote mount kit	2 X 5 ft support cable + 6 ft UL DC cable+ 2 Carabiners
GEHAK-NN-BD-N0	Light module 10' UL remote mount kit	2 X 10 ft support cable + 12 ft UL DC cable+ 2 Carabiners
GEHAK-DN-NN-N0	Driver 2¾" square member bracket	2 X 2¾" square brackets
GEHAK-BN-NN-N0	Driver 2¾" pipe member bracket	2 X 2¾" pipe brackets
GEHAK-AN-NN-N0	Driver 1 3/8" pipe member bracket	2 X 1 3/8" pipe bracket
GEHAK-NN-NE-N0	Driver universal wire mount kit	2 X 1ft driver support cable
GEHAK-NN-NN-J0	*Wire dimming junction box kit	Junction box + 2 cable gland
GEHAK-NN-NN-D0	*UL wall-mounted dimming switch	Dimming switch

***NOT COMPATIBLE WITH 200W LIGHT MODULES (GEHTL-EPPR4-1NX1, GEHTL-EPPB4-1NX1)**

⚠ ATTENTION / ATTENTION

- Installation instructions and specifications for accessories can be found in the accessory package.
- Les instructions d'installation et spécifications pour les accessoires se retrouvent dans le kit d'accessoires.

Sample Base Installation Diagram



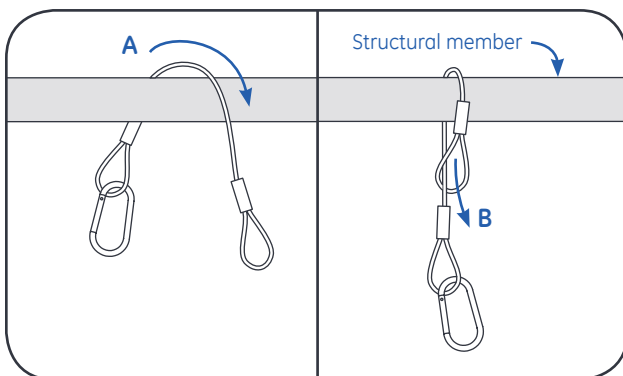
⚠ CAUTION / ATTENTION

Always wear safety gloves while handling light modules.

Portez toujours des gants de protection lorsque vous manipulez les luminaires.

Installation

Hanging the Light Module

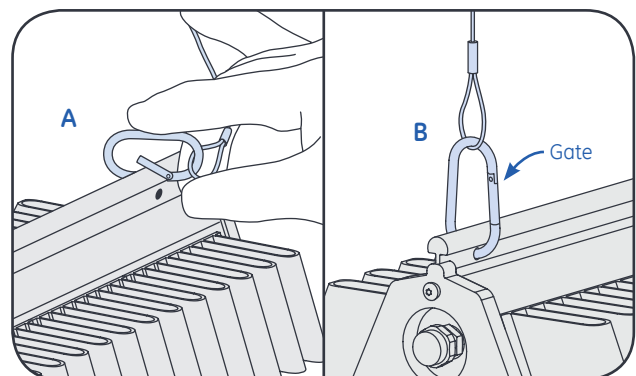


1 Install the support cables

A) At first end of light module, wrap non carabiner end of support cable around structural member.

B) Pass carabiner through support cable loop to create a noose.

Repeat with second support cable at other end of light module.



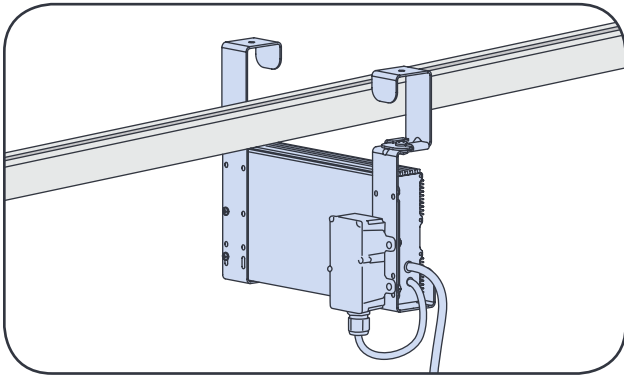
2 Install the light module

A) Attach first carabiner to the 1/4" round hole on one side of the light module. Repeat on other side of light module.

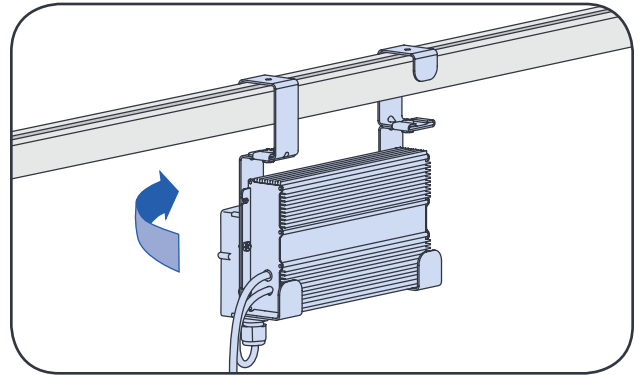
B) Ensure both carabiners are through the hole and both gates are closed.

NOTE: Ensure greenhouse structures and members are rated for loads created by light modules and drivers.

Hanging the Driver



- 3** Lift driver so that the structural member is between the brackets.



- 4** Rotate driver so that the brackets can engage with the structural member. Lower driver into position.

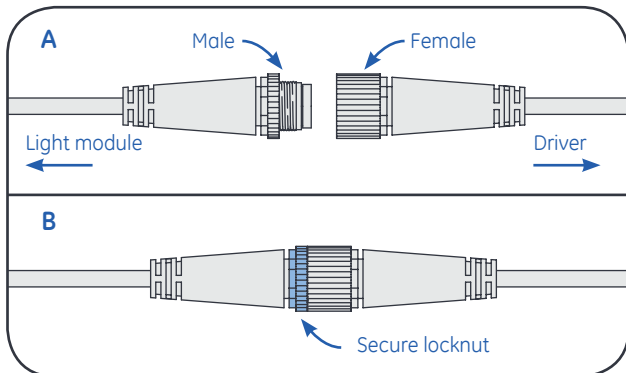
NOTE: The base driver mounting kit is for a 1 5/8" square structural member. For other structural members, see accessories or contact your account manager.

⚠ WARNING / AVERTISSEMENT

RISK OF ELECTRICAL SHOCK: Turn power OFF before inspection, installation or removal.

RISQUE DE CHOC ELECTRIQUE: Coupez l'alimentation avant l'inspection, l'installation ou la désinstallation.

Driver Output Electrical Connections

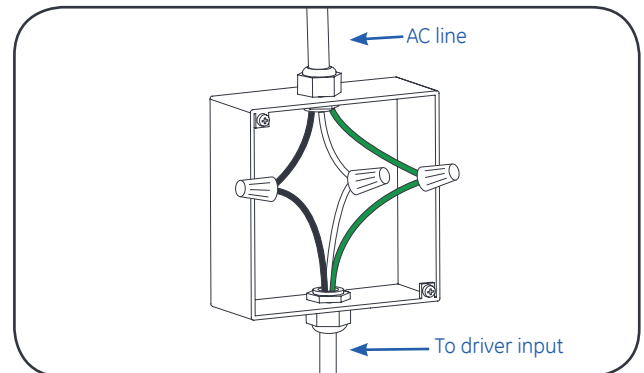


- 5** Connect light module to driver output

A) Mate male connector from module with female connector from DC output of driver.

B) Secure blue lock nut by turning counterclockwise until tight ensuring water tight seal and good connection.

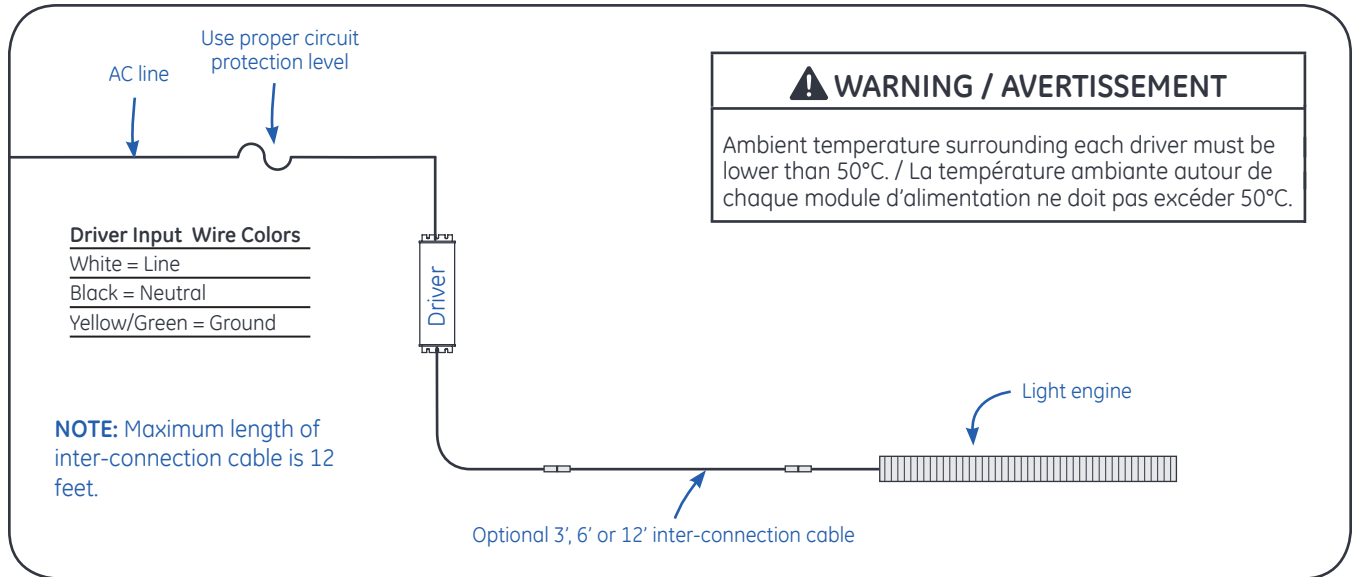
Driver Input Electrical Connections



- 6** Connect driver input to AC line

Connect the green ground wires together. Connect the white (L) and black (N) wires of the driver to the respective white and black wires of the AC line.

Connection Schematic



Save These Instructions

Use only in the manner intended by the manufacturer. If you have any questions, contact the manufacturer.

This device complies with part 15 of the FCC Rules. Operation is subject to the following two conditions: (1) This device may not cause harmful interference, and (2) this device must accept any interference received, including interference that may cause undesired operation.

NOTE: This equipment has been tested and found to comply with the limits for a Class A digital device, pursuant to part 15 of the FCC Rules. These limits are designed to provide reasonable protection against harmful interference when the equipment is operated in a commercial environment. This equipment generates, uses, and can radiate radio frequency energy and, if not installed and used in accordance with the instruction manual, may cause harmful interference to radio communications. Operation of this equipment in a residential area is likely to cause harmful interference in which case the user will be required to correct the interference at his own expense.

This Class [A] RFLD complies with the Canadian standard ICES-005. /CeDEFR de la classe [A] est conforme à la NMB-005 du Canada.

⚠ RISK GROUP 2 - CAUTION / ATTENTION - RAYONNEMENT LUMINEUX GROUPE 2

Possibly hazardous optical radiation emitted from this product. Do not stare at operating lamp. May be harmful to the eyes.

Le rayonnement lumineux émis par ce produit est potentiellement dangereux. Ne pas regarder la lumière émise directement car elle pourrait occasionner des dommages aux yeux.



Electrical products must not be thrown out with domestic waste. They must be taken to a communal collecting point for environmentally friendly disposal in accordance with local regulations. Contact your local authorities or stockist for advice on recycling. The packaging material is recyclable. Dispose of the packaging in an environmentally friendly manner and make it available for the recyclable material collection-service.



For the latest install guides for your product go to:
<https://products.currentbyge.com/horticulture/arize-element>
arize.support@ge.com

Visit LED.com
 Call us today! 1-888-MY-GE-LED
 Email us: horticulture.info@ge.com

current
 powered by GE

All trademarks are the property of their respective owners. Information provided is subject to change without notice. All values are design or typical values when measured under laboratory conditions. Current, powered by GE is a business of the General Electric Company.
 © 2019 GE.

