

Arize Element™ Top Light

Horticulture LED Lighting System

UL Wire Dimming Installation Guide



BEFORE YOU BEGIN / AVANT DE COMMENCER

Read these instructions completely and carefully. Lisez attentivement ces instructions dans leur intégralité.
For Commercial or Industrial use only.

⚠ WARNING / AVERTISSEMENT

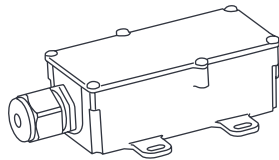
RISK OF ELECTRIC SHOCK

- Turn power off before installation, inspection, cleaning or removal. And follow appropriate lock out/tag out safety procedure.
- This product must be installed in accordance with the applicable installation code by a person familiar with the construction and operation of the product and the hazards involved.

RISQUE DE CHOC ELECTRIQUE

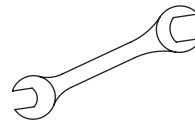
- Coupez l'alimentation avant l'inspection, l'installation ou la désinstallation.
- Ce produit doit être installé selon le code d'installation pertinent, par une personne qui connaît bien le produit et son fonctionnement ainsi que les risques inhérents.

Components Supplied

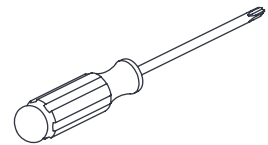


Junction Box
GEHAK-NN-NN-J0

Tools Required



M4 & M20 Wrench



#1 Phillips screw driver



Electrical products must not be thrown out with domestic waste. They must be taken to a communal collecting point for environmentally friendly disposal in accordance with local regulations. Contact your local authorities or stockist for advice on recycling. The packaging material is recyclable. Dispose of the packaging in an environmentally friendly manner and make it available for the recyclable material collection-service.

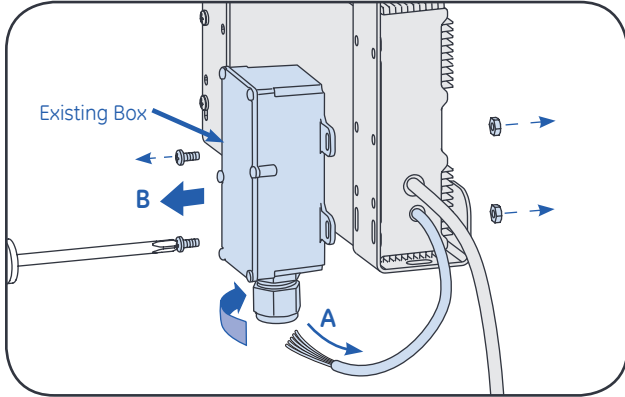


Visit LED.com
Call us today! 1-888-MY-GE-LED
Email us: horticulture.info@ge.com

current
powered by GE



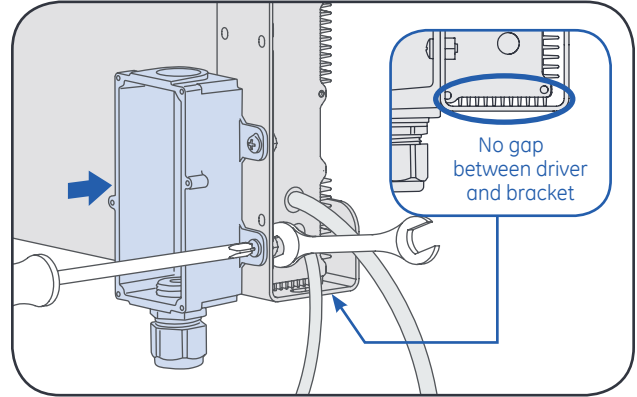
Installation



1 Removal of existing box

A) Turn the threaded-lock sealing nut clockwise and pull dimming wires from existing box. Remove heat shrink sleeve on wires.

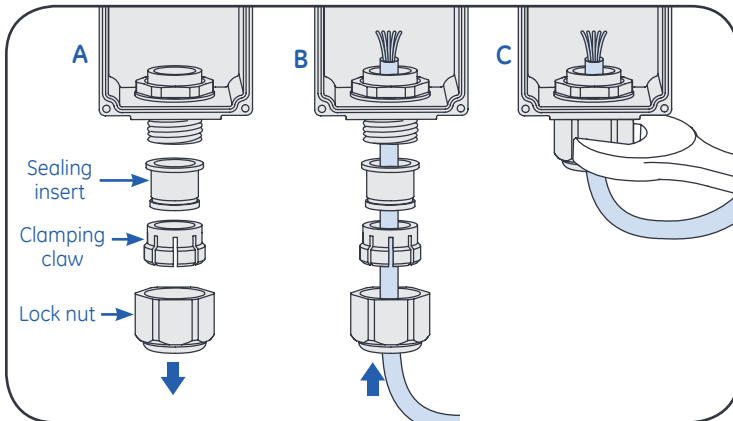
B) Unfasten the 2 screws holding the existing box to the driver using phillips screw driver. Save screws and nuts for step 2.



2 Dimming Junction box install

Align the junction box slots with bracket and driver holes and secure with two screws and nuts from Step 1. Ensure screw and nut are secured tightly.

NOTE: make sure there is no gap between bracket and bottom of the driver.



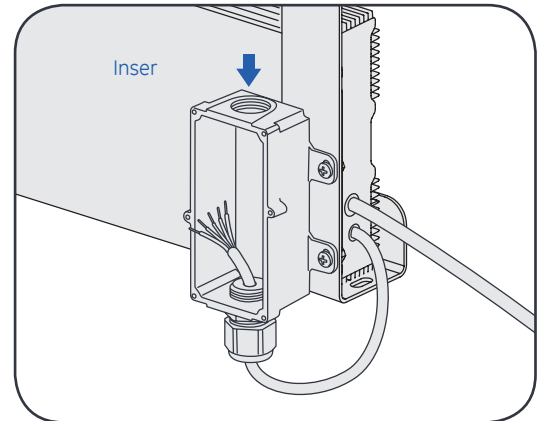
3 Driver Dimming Wire Insertion

A) Unscrew the thread-lock nut from the cable gland and remove the clamping claw and sealing insert.

B) Insert the cord through the thread-lock nut, then the clamping claw and sealing insert and then insert it into the junction box through the cable gland.

C) Tighten the thread-lock nut onto the cable gland enough dimming cord inside the junction box so that the dimming connection to the building dimming network can be made.

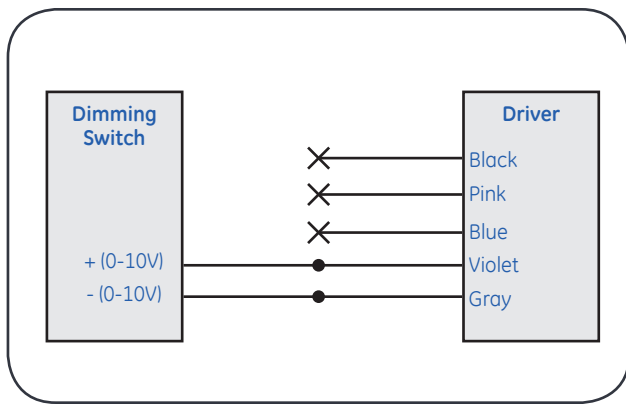
C) Tighten the thread-lock nut onto the cable gland to ensure a water tight seal.



4 Wall Dimming Wire Insertion

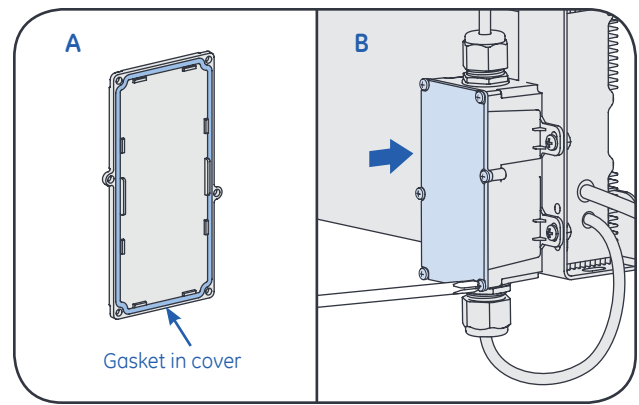
A) Insert the junction box into the open threaded conduit connection. This is appropriate for dimming network wiring method and the environment into open threaded conduit connection.

B) Bring the conductors for the building dimming network into the junction box.



5 Wire Dimming Electrical Connection

Connect the appropriate wiring to Dim + (0-10V) and Dim - (0-10V) from driver. Follow dimming instructions for rest of connection



6 Junction Box Enclosure

- A) Ensure gasket is sitting in place on the inner edge of the junction box cover.
- B) Fasten all 6 screws to ensure water tight seal.

For the latest install guides for your product go to:
<https://products.currentbyge.com/horticulture/arize-element>



All trademarks are the property of their respective owners. Information provided is subject to change without notice. All values are design or typical values when measured under laboratory conditions. Current, powered by GE is a business of the General Electric Company.
 © 2019 GE.

